

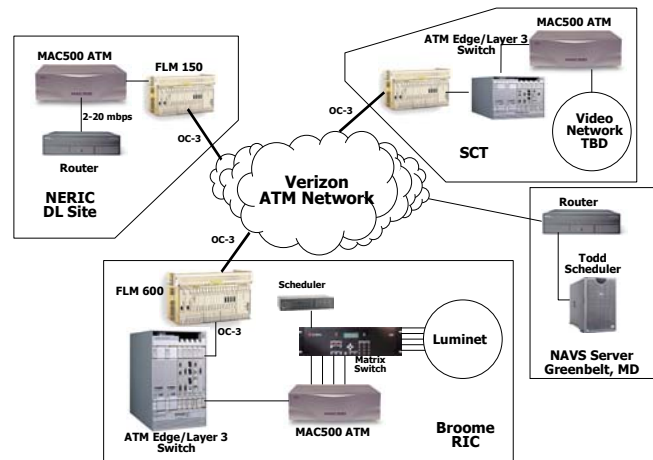


Telecommunications Analysis & Design

The Myers Group designs, specifies and implements telecommunication systems and services to meet key operational needs of organizations. Our technical designs are always practical and based on functional needs, availability of services and total cost of ownership.

Expertise

- Cabling Design and Engineering for Data/Voice/Video
- Phone System Design and Engineering (PBX & IP)
- Wide Area Network Planning, Design & Specification
- Network Equipment Design and Specification
- Network Integration of Voice, Video and Data
- Network Technology Conversions & Upgrades
- Telephone Services Analyses (Local & Long Distance)
- Internet Services Planning & Analysis



Recent Projects

Development Authority of the North Country – Fiber Optic Network

The Myers Group developed design documents and specifications for a network connecting over 75 locations across Northern New York State. The technology specified included a SONET backbone, Gig E, RPR, ATM and MPEG2 video. The Myers Group continues to provide technology design and consulting services to the St. Lawrence-Lewis BOCES for the implementation of their applications on this network.

Oneida-Herkimer-Madison BOCES - VoIP

The Myers Group provided telecommunications design and bid specifications for VoIP System to replace an existing PBX. Drawings and bid documents were developed and project coordination in conjunction with BOCES architect (March Associates) was provided.

Regional Telephone Services Analysis

The Myers Group has recently completed telephone services analysis for several BOCES regions including Capital Region, Washington-Saratoga, Ulster, Cayuga and Oneida BOCES. Each analysis covered local, regional, long distance, cellular, data services, etc. The analysis identified opportunities for cost savings and regional telephone interconnect.

Montgomery County – Telephone System

The Myers Group is currently developing drawings and specifications for a new county-wide telephone system for six (6) county offices including the courthouse, sheriff's department, department of public works, public health, social services and administration.

New York State Department of Transportation – New Region 1 Headquarters Building

The Myers Group worked with Turner Construction and a team of consultants on the design and build of a new headquarters building for the NYS Department of Transportation. The Myers Group designed all voice, data and video infrastructure for the four-floor building, including a Category 6 infrastructure for voice and data and a redundant star, multi-mode fiber backbone.